

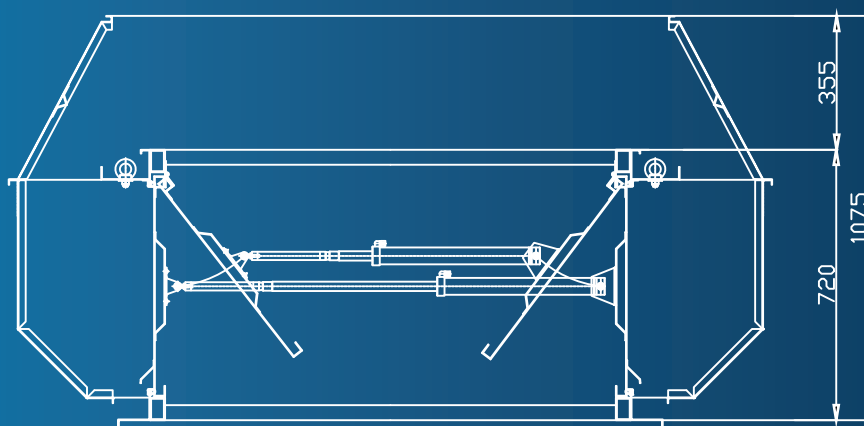


# SafeVent Heavy

**SafeVent Heavy** is a functional base that provides daily ventilation even in bad weather. It consists of a four-sided windshield that protects the installed unit from wind and rain while improving the extraction properties of the entire unit. It is placed under SHEV units as well as under other ventilation units whose ventilation function is restricted by external weather conditions. Ventilation is provided by internal ventilation flaps with a size of 600 mm, controlled by an electric or pneumatic actuator.

The corrosion-resistant construction of SafeVent Heavy is made of high-quality recyclable materials.

**SafeVent Heavy** is available in various sizes, with insulated or non-insulated aluminium base and flange, depending on customer requirements. The variability of the unit allows it to meet almost any customer requirement.



## TECHNICAL SPECIFICATION:

Width:	from 1000 to 2000 mm
Length:	from 1000 to 3000 mm
Construction:	insulated or non-insulated aluminium base with variable flange
Control:	electric motor 230 V or 24 V pneumatic cylinder